

APV DELTA UF3(A) / UFR3(A)

RELIEF VALVE

FORM NO.: 170784 REVISION: UK-7

READ AND UNDERSTAND THIS MANUAL PRIOR TO OPERATING OR SERVICING THIS PRODUCT.



EU Declaration of Conformity for Valves and Valve Manifolds

SPX FLOW TECHNOLOGY GERMANY GMBH
Gottlieb-Daimler-Str. 13, D-59439 Holzwickede
herewith declares that the

**APV double seal and double seat valves of the series
SD4, SDT4, SDU4, SDMS4, SDMSU4, SDTMS4, SWcip4, DSV,
DA3, DA3SLD, DE3, DEU3, DET3, DKR2, DKRT2, DKRH2**
in the nominal diameters DN 25 - 150, ISO 1" – 6" and 1 Sh5 - 6 Sh5

APV butterfly valves of the series SV1 and SVS1F, SVL and SVSL
in the nominal diameters DN 25 - 100, DN 125 - 250 and ISO 1" – 4"

APV ball valves of the series KHI, KHV
in the nominal diameters DN 15 - 100

**APV single seat, diaphragm and spring loaded valves of the series
S2, SW4, SWhp4, SW4DPF, SWmini4, SWT4, SWS4, MF4, MS4, MSP4, AP/T1, CPV,
RG4, RG4DPF, RGMS4, RGE4, RGE4DPF, RGEMS4, PR2, PRD2, SI2, UF/R3, VRA/H**
in the nominal diameters DN 10 - 150, ISO 1/2" – 4" and 1 Sh5 - 6 Sh5

and the valve manifolds installed thereof

meet the requirements of the Directives 2006/42/EC (superseding 89/392/EEC
and 98/37/EC) and ProdSG (superseding GPSG - 9.GPSGV).

For official inspections, SPX FLOW presents
a technical documentation according to Appendix VII of the Machinery Directive,
this documentation consisting of documents of the development and construction,
description of measures taken to meet the conformity and to correspond with
the basic requirements on safety and health, incl. an analysis of the risks,
as well as an operating manual with safety instructions.

The conformity of the valves and valve manifolds is guaranteed.

Authorised person for the documentation:
Frank Baumbach

SPX FLOW TECHNOLOGY GERMANY GMBH
Gottlieb-Daimler-Str. 13, D-59439 Holzwickede, Germany

November 2017

ppa. Baumbach

Frank Baumbach
Regional Engineering Manager, F&B Components

Content	Page
1. General Terms	2
2. Safety Instructions	3 - 4
3. Intended Use	6
4. Mode of Operation	
4.1. General terms	
5. Auxiliary Equipment	
6. Cleaning	8
7. Installation	10 - 11
7.1. Welding instructions	
8. Dimensions / Weights	12
9. Technical Data	13
9.1. General terms	
9.2. Compressed air quality	
10. Maintenance	
10.2. Assembly tool	4 - 15
11. Service Instructions	16 - 19
11.1. Dismantling from line system	
11.2. Dismantling of wear parts (product-wetted parts)	
11.3. Assembly of spring cylinder	
11.4. Installation of seals and assembly of valve	
11.5. Installation of valve	
12. Installation of seat seal	20
12.1. Installation of seat seal in valve shaft	
13. Trouble Shooting	21
14. Spare parts lists	22

UF3, UFE3, UFR3, UFRE3

I. spring cylinder, II. spring cylinder with seat lift actuator DN & Inch RN 01.054.53

UF3, UFE3, UFR3, UFRE3 - 3A design

I. spring cylinder, II. spring cylinder with seat lift actuator DN & Inch RN 01.054.574

1. General Terms

This instruction manual must be read and observed by the responsible operating and maintenance personnel.

We point out that we will not accept any liability for damage or malfunctions resulting from the non-compliance with this instruction manual.

Descriptions and data given herein are subject to technical changes.

2. Safety Instructions



Danger!

The technical safety symbol draws your attention to important directions for operating safety. You will find it wherever the activities described are bearing health hazards or risks for persons or material assets.

- Separate electric and pneumatic connections.
- Before any maintenance work the line system must be depressurized and drained if possible.
- Observe the following Service Instructions to ensure safe maintenance of the valve.



Danger!

- Do not touch the open valve or yoke!
Risk of injury due to sudden valve operation.
Risk of injury in dismantled valve state due to sudden valve operation.
- Regular maintenance including the replacement of all seals and bearing bushes must be scheduled in order to prevent leakages and discharge of liquids.
- The valve must only be assembled, operated, disassembled and maintained by persons who have been trained accordingly.
If necessary, contact your local SPX FLOW representative.

2. Safety Instructions

**Danger!**

Welded actuators are preloaded by spring force.

**Opening of the actuators is strictly forbidden.
Danger to life!**

Actuators which are no longer used or defective must be disposed in professional manner.

Defective actuators must be returned to your SPX FLOW representative for their professional disposal and free of charge for you.

Please address to your local SPX FLOW representative.

3. Intended Use

The intended use as field of application of the DELTA DELTA UF3 relief valve is to prevent the max. product pressure from being exceeded or to discharge a certain product quantity.

Attention:

In the sense of the Pressure Equipment Directive 2014/68/EU, the DELTA UF3/UFR3 relief valve is a "pressure-retaining component" and is not a "component with safety function", i.e. the valve **must not** be used as safety valve.

Its use is permissible only within the admissible pressure and temperature margins and under consideration of chemical and corrosive influences.

Any use exceeding the margins and specifications set forth, is considered to be not intended.

Any damage resulting therefrom is not within the responsibility of the manufacturer.

The user will bear the full risk.

Attention!

Improper use of the valve leads to:

- damage
- leakage
- destruction.

Failures in the production process are possible.

Arbitrary, constructive changes at the valve will influence safety as well as the intended functionality of the valve and are **not** permissible.

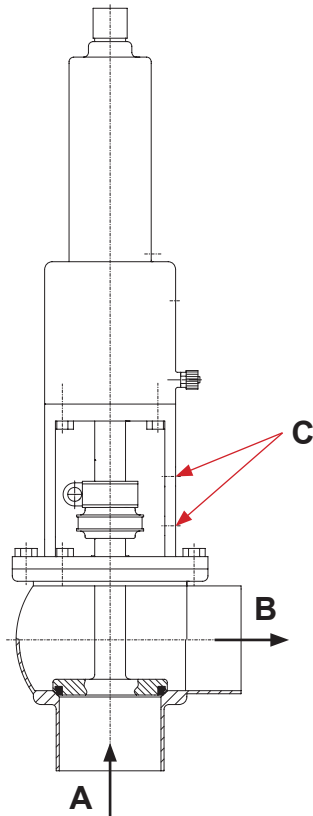
Authorizations and External Evaluations

ATEX (Directive 2014/34/EU)

3-A Sanitary Standards, Inc.

4. Mode of Operation

APV DELTA UF3/ UFR3 relief valve



4.1. General terms

The valve has been developed for use in the brewing and beverage, dairy and food industries as well as for chemical and pharmaceutical applications.

The valves are designed for universal applications and stand out for their increased mechanical reliability and absolute ease of service.

The APV UF3/UFR3 relief valve is used to prevent a desired product pressure from being exceeded due to process requirements or to discharge a certain product quantity.

If the preset opening pressure is exceeded, the valve is opened automatically by the imminent line pressure in the supply line **(A)** under the valve seat. The liquid is drained via the discharge line **(B)**. If the adjusted set value falls short, the valve is closed by spring force.

The flow direction is always from A → B.

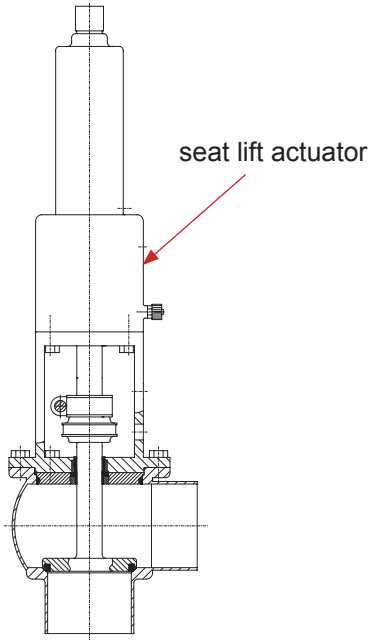
Attention:

In the sense of the Pressure Equipment Directive 2014/68/EU, the DELTA UF3/UFR3 relief valve is a "pressure-retaining component" and is not a "component with safety function", i.e. the valve **must not** be used as safety valve.

Proximity switches to signal the valve position can be installed in the yoke area **(C)**.

5. Auxiliary Equipment

fig. 5.1.



5.1. Seat lift actuator (fig. 5.1)

The UF3 valve can be equipped with a seat lift cylinder if required for cleaning technical reasons. (see chapter 6.)

5.2. Valve position indication

For the valve position indication, proximity switches can be installed in the yoke area.

We recommend to use our APV standard types:

Operating distance: 5mm / Diameter: 11mm.

If the customer decides to use a valve position indication other than APV type, we cannot take over any guarantee for a faultless function.

5.3. Valve seat variants (fig. 5.3.)

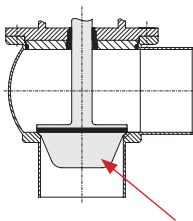
Valve seat in flat and conical design, for special requirements, are available. Through the use of a valve seat with regulating cone, the flow behaviour at low flow quantities is improved and a "softer" valve closing is achieved.

The valve variant is called "UFR3".

5.4. Housing configurations (fig. 5.4.)

Different housing shapes can be applied to reduce dead spaces to a minimum.

fig. 5.3.



regulating cone

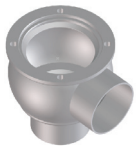
* The spring cylinder is available with scale and hand wheel to allow for a simple adjustment of the response pressure (fig. 5.5.).

* As a special version, the pressure relief valves are available in aseptic design (with flat diaphragm or metal bellow).

- Deviations from the standard spare parts lists result. These special drawings and spare parts lists will be supplied separately.

fig. 5.4.

UF31



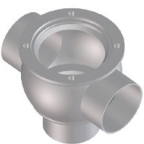
UFE31



UFE32



UF32



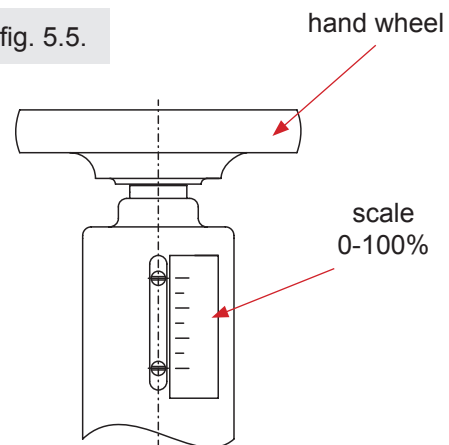
UFE33



UFE34

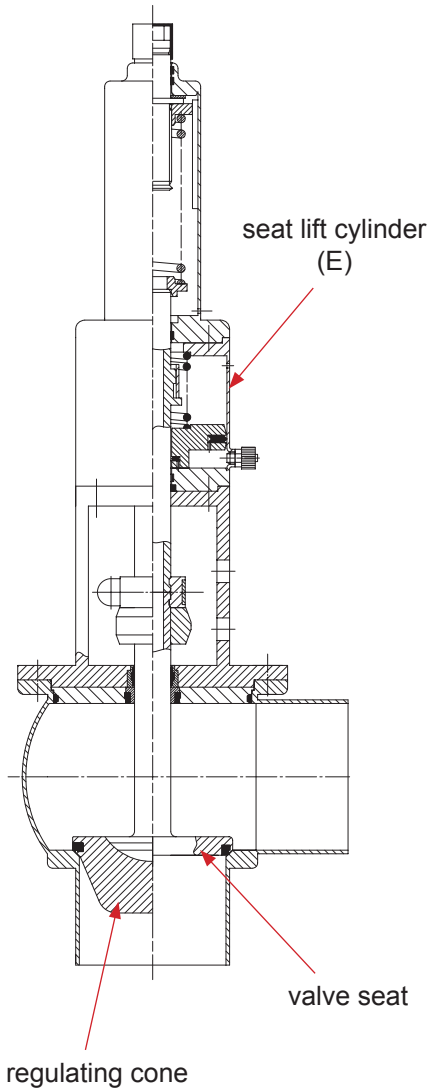


fig. 5.5.



6. Cleaning

fig. 6.1.



Optimum cleaning is given if the seat lift actuator (E) drives the valve seat into the position "on" during the cleaning process (fig. 6.1).

During this process, the cleaning liquid can flush the seal surfaces.

After termination of the cleaning step, the seat lift actuator is vented and the valve seat moves into "closed" position by spring force.

6.1. The flow chambers

The passages of the valve are cleaned by the cleaning liquid during cleaning of the connected pipelines.

Depending on the degree and substances of soiling, cleaning liquids, times and processes must be scheduled for the individual application.

The compatibility of the individually selected cleaning processes and liquids with the respective seal material must be verified.

7. Installation

7.1. General terms

Installation has to be done in such a way that liquids can drain off the valve housing. Vertical position is preferred.

Valves can be welded direct into the pipeline (valve insert completely dismantable).

- After the installation, the set value must be adjusted by a pressure gauge.

Adjustment:	turn right	=	pressure increase
	turn left	=	pressure reduction

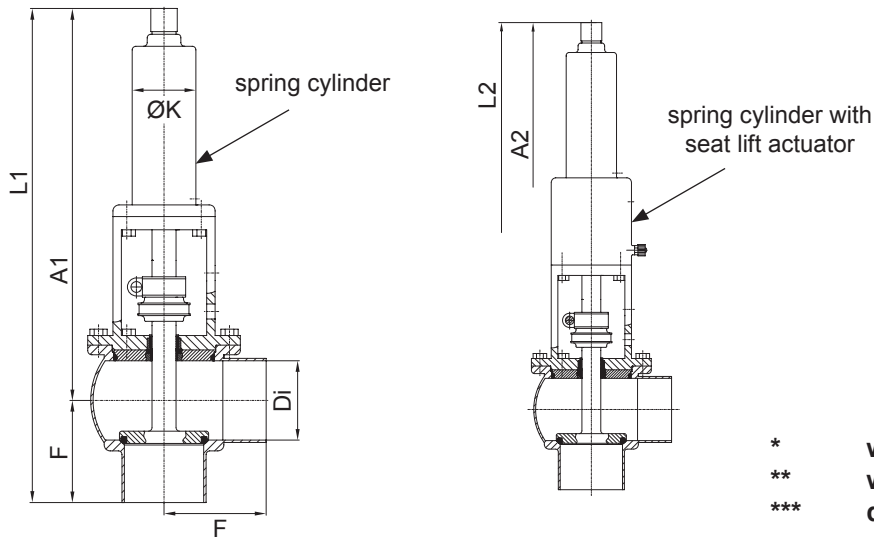
If required, the value can be corrected during production by turning the adjusting screw at the spring cylinder.

Attention! Observe Welding Instructions 7.2.

7.2. Welding Instructions

- Before welding of the valve, the valve insert must be dismantled from the housing. Careful handling to avoid damage to the parts is necessary.
- Welding should only be carried out by certified welders (DIN EN ISO 9606-1). (Seam quality DIN EN ISO 5817).
- The welding of the valve housings must be undertaken in such a way that the valve body is not deformed.
- The preparation of the weld seam up to 3 mm thickness must be carried out as a square butt joint without air.
(Consider shrinkage!)
- TIG orbital welding is best!
- After welding of the valve housings or of the mating flanges and after work at the pipelines, the corresponding parts of the installation or pipelines must be cleaned from welding residues and soiling.
If these cleaning instructions are not observed, welding residues and dirt particles can settle in the valve and cause damage.
- Any damage resulting from the non-observance of these welding instructions is not subject to our guarantee.

8. Dimensions / Weights



* without/with regulating cone
 ** weight without/with seat lift actuator
 *** dimensions without/with s.l. actuator

		*		***				***				**	
		Pressure range (bar)		A1	A2	Ø Di		F	L1	L2	Ø K	Weight in kg	
DN	Inch	flat	cone	with- out	with	DN	Inch		with- out	with		with- out	with
25	1"	0-6,8	0-5,4	310	395	26	22,2	50	360	445	53	2,4	4,9
25	1"	0-10,0	0-10,0	353	438	26	22,2	50	403	488	53	2,6	5,1
40	1,5"	0-3,5	0-2,9	316	401	38	34,9	67	383	468	53	3,3	5,8
40	1,5"	0-7,5	0-6,3	359	444	38	34,9	67	426	511	53	3,5	6,0
40	1,5"	0-10,0	0-10,0	389	474	38	34,9	67	456	541	85	5,6	8,1
50	2"	0-2,1	0-1,8	322	407	50	47,6	72	394	479	53	3,8	6,3
50	2"	0-4,5	0-4,0	365	450	50	47,6	72	437	522	53	4,0	6,5
50	2"	0-10,0	0-10,0	395	480	50	47,6	72	467	552	85	6,1	8,6
65	2,5"	0-1,2	0-1,1	330	415	66	60,3	85	415	500	53	5,2	7,7
65	2,5"	0-2,7	0-2,4	373	458	66	60,3	85	458	543	53	5,4	7,9
65	2,5"	0-7,6	0-7,0	403	488	66	60,3	85	488	573	85	7,5	10,0
65	2,5"	0-10,0	0-10,0	451	536	66	60,3	85	536	621	85	8,0	10,5
	3"	0-1,1	0-1,0	333	418		72,9	90	423	508	53	6,6	9,1
	3"	0-2,3	0-2,1	376	461		72,9	90	466	551	53	6,8	9,3
	3"	0-6,5	0-6,0	406	491		72,9	90	496	581	85	8,8	11,3
	3"	0-10,0	0-10,0	454	539		72,9	90	544	629	85	9,3	11,8
80		0-0,9	0-0,8	338	423	81		98	436	521	53	6,7	9,2
80		0-1,8	0-1,7	381	466	81		98	479	564	53	6,9	9,4
80		0-5,2	0-4,8	411	496	81		98	509	594	85	9,0	11,5
80		0-10,0	0-10,0	459	544	81		98	557	642	85	9,5	12,6
100	4"	0-0,6	0-0,5	347	432	100	97,6	111	458	543	53	8,5	11,0
100	4"	0-1,2	0-1,1	390	475	100	97,6	111	501	586	53	8,7	11,2
100	4"	0-3,5	0-3,2	420	505	100	97,6	111	531	616	85	10,8	13,3
100	4"	0-8,3	0-7,7	468	553	100	97,6	111	579	664	85	11,3	13,8

9. Technical Data

9.1. General data

- Product-wetted parts: 1.4404 (DIN EN 10088)
- Other parts: 1.4301 (DIN EN 10088)
- Seals: standard design EPDM
- option: HNBR, VMQ, FPM

- max. line pressure 10 bar or acc. to drawing data
- max. operating temperature: 135°C EPDM, HNBR *FPM, *VMQ
- short-term load: 140°C EPDM, HNBR *FPM, *VMQ *(no steam)

- air connection (for hose): 6 x 1mm
- control pressure for seat lift actuator: 10 bar max. / 6 bar min.

Depending on the size of the spring cylinder, the response pressure can be adjusted variably or up to max. 10 bar. (or according to drawing data)

- The minimum response pressure can be > 0 bar depending on the valve mounting position and the friction of the shaft seal.

Use dry and clean control air only!

9.2. Compressed air quality

- Compressed air quality: quality class according to ISO 8573-1
- Content of solid particles: quality class 3,
max. number of particles per m³
10000 of 0,5 µm < d ≤ 1,0 µm
500 of 1,0 µm < d ≤ 5,0 µm
- Content of water: quality class 3,
max. dew point temperature - 20 °C
For installations at lower temperatures or at higher altitudes, additional measures must be considered to reduce the pressure dew point accordingly.
- Content of oil: quality class 1,
max. 0,01 mg/m³

The oil applied must be compatible with Polyurethane elastomer materials.

10. Maintenance

The maintenance intervals depend on the corresponding application and are to be determined by the operator himself carrying out temporary checks.

The valve must not be cleaned with products containing abrasive or polishing material. Especially the valve shaft must not, under any circumstances, be cleaned with such agents. Damage of the valve shaft can lead to leakages.

Exchange of seals is done according to Service Instructions. Customer stock keeping of spare seals is recommended. For valve service actions we supply complete seal kits including seal grease (see spare parts lists).

Attention! Use food-grade grease and special greases being suited for the respective seal material, only!

Recommendation:

APV assembly grease for EPDM, FPM, HNBR and NBR

(0,75 kg/tin - ref.-No. 000 70-01-019/93; H147382)

(60 g/tube - ref.-No. 000 70-01-018/93; H147381)

or

APV assembly grease for VMQ (Silicone)

(0,6 kg/tin - ref.-No. 000 70-01-017/93; H147380)

(60 g/tube - ref.-No. 000 70-01-016/93; H147379)

- ! Do not use grease containing mineral oil for EPDM seals.
- ! Do not use Silicone-based grease for VMQ seals.

Less suited grease types can influence function and service life.

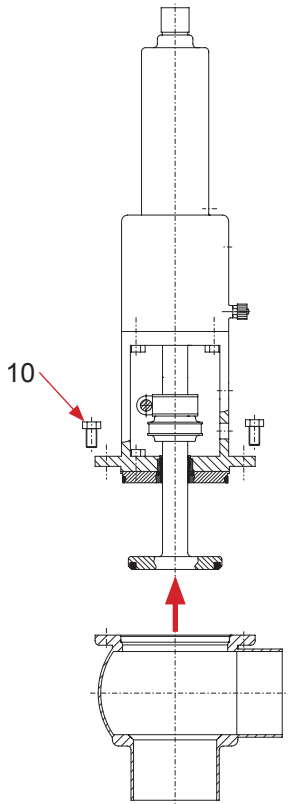
11. Service Instructions

Corresponding spare parts list:

DN design / Inch design: RN 01.053.53

DN design / Inch design: RN 01.054.574 (3A version)

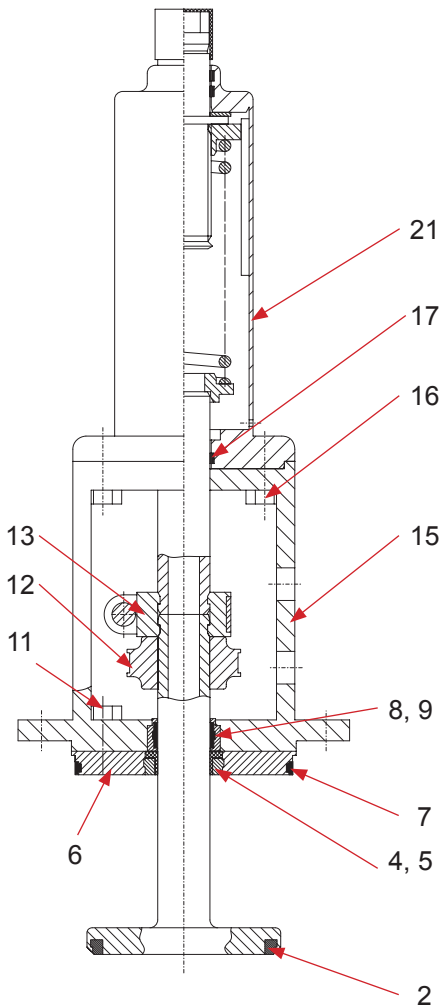
11.1. Dismantling from the line system



1. Shut off line pressure in the product line and drain lines if possible.
2. Remove pneumatic air lines (seat lift actuator).
3. Release clamp screw at the feedback support and extract proximity switches. (If valve is not equipped with feedback, omit 11.1.3).
4. Remove flange screws (10).
5. Screw two flange screws into the threaded bores of the valve yoke, slightly lifting the complete valve insert.
6. Remove the flange screws and carefully lift the valve insert vertically out of the valve housing.

11. Service Instructions

UF3 - without seat lift actuator



11.2. Dismantling of wear parts (product-wetted parts)

1. Remove housing screws (7) from housing cover (6).
2. Release screw of coupling (13) and dismantle.
3. Take the valve shaft (3) from the housing cover, simultaneously removing the operating cam (12) and the intermediate piece (14) of the UF valve without seat lift actuator.
4. Prick into the seat seal (2) with a peak object and carefully take it out of the groove.
5. Release screw (11). This is to position the housing cover. Remove the housing cover (6) and take out the two seal parts (4, 5).
6. Press the guide ring (8) out of the yoke flange.
7. Take the guide bush (9) out of the guide ring.
8. Remove the screws (16) and separate the complete spring cylinder(21) from the yoke (15).
9. UF3 with seat lift actuator: remove the O-ring (19).
UF3 without seat lift actuator: remove the guide band (17).

11.3. Assembly of spring cylinder

1. UF3 with seat lift actuator: insert the O - ring (19).
UF3 without seat lift actuator: insert the guide band (17).

11. Service Instructions

11.4. Installation of seals and assembly of valve

1. Fasten the spring cylinder (21) at the yoke (15) by the screws (16).
2. Insert the guide bush (9) in the guide ring (8) and press the complete unit into the yoke flange.
3. Insert the greased seal parts (4, 5) into the groove of the housing cover.
4. Screw the housing cover (6) to the yoke (15) by the hexagon screws (11).
5. Before installing the valve shaft, insert the seat seal (2).

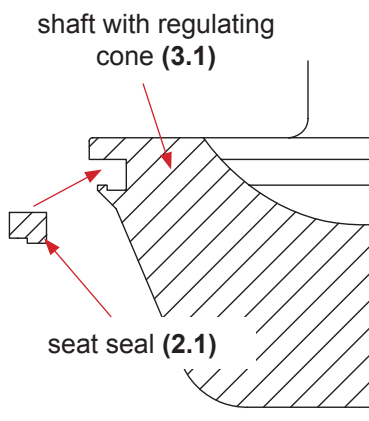
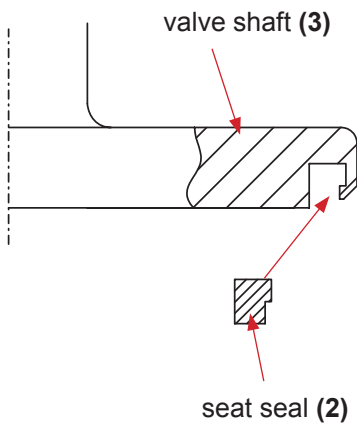
* UF3 valve without regulating cone - use assembly tool for seat seal (2).

* UF3 valve with regulating cone - install seal as follows:
 Press the slightly greased seal at four spots, the wide side to the front and the graduation to the top, into the groove. Introduce the seal, at the four protruding loops, e.g. by a thin, dull screwdriver into the groove and insert it by strong thumb pressure. Proceed alternately at the four loops to get an even fit of the seal. Finally, flatten the seal by strong pressure, e.g. by the handle of a screwdriver and prick the blade of a small screwdriver between the groove edge and the inner side of the seal down to the groove ground to vent the groove.
 Check the even fit of the seal after the installation.

6. UF3 valve without seat lift actuator - press the intermediate piece (14) from the bottom into the spring cylinder (21).
7. Slide the shaft (3) carefully through the housing cover (6).
8. Attach the operating cam (12) on the valve shaft (3).
9. Push the valve shaft against the intermediate piece and connect both shaft ends with the coupling clamp (13).

Attention: The distance tube must be between the two coupling halves when tightening the screws. The coupling screw must not slew into the feedback area.

10. Check the firm fit of the adjusting screw (11).
11. Insert the slightly greased housing seal (7) into the groove of the housing cover (6).



11. Service Instructions

11.5. Installation of valve

1. Place the complete valve insert carefully into the valve housing (1).
2. Enter the screws (10) and tighten them crosswise.
3. UF3 valve with seat lift actuator: mount the pneumatic air lines.
4. Installation of valve feedback.

basic adjustment: Push the proximity switch into the holder with a 2 mm distance to the operating cam (12)

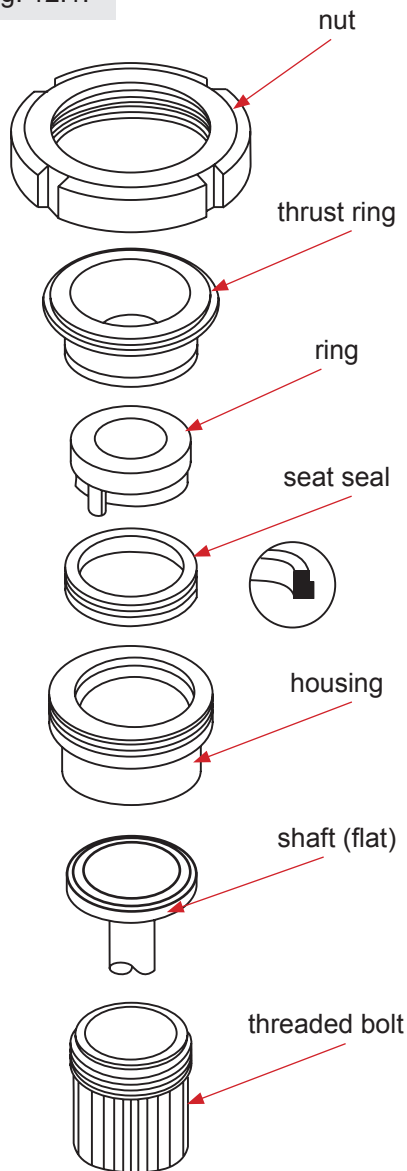
fine adjustment: By slightly displacing the switch, the shift point can be adjusted more precisely if necessary. Observe the luminous diode at the switch during this adjustment.

Fix the switch by the clamp screw.

12. Installation of Seat Seal

12.1. Installation of seat seal (2) in valve shaft

fig. 12.1.



The assembly tool (fig. 12.1) consists of:

- nut
- thrust ring
- ring with venting nose
- housing
- threaded bolt

1. Insert the valve shaft into the housing in such a way that the seal groove is in the housing.
2. Clamp the shaft into the housing by means of the threaded bolt.
3. Slightly grease the seat seal with APV assembly grease. Then install the seal on the ring with the venting nose until it stops.
4. Introduce the ring with the installed seat seal into the housing and press it down until it stops sensibly.
5. Insert the thrust ring into the housing. Screw on the nut and tighten it with a hook spanner until it stops.
6. Release the nut. Take ring and thrust ring off the housing.
7. Take housing out of the vice, take off the threaded bolt. Detach the valve shaft from the housing.

Check the even fit of the seat seal.

Attention:

The tool is not suited for the installation of seals in valve shafts of UFR valves with regulating cone.

To simplify the installation of the seat seal, the following assembly tools are available:

Assembly tool for seat seal			
DN	Inch	Reference number	ID number
25	1"	000 51-13-110/17	H179465
40	1,5"	000 51-13-111/17	H179466
50	2"	000 51-13-112/17	H179467
	2,5"	000 51-13-120/17	H179468
65		000 51-13-113/17	H179469
	3"	000 51-13-121/17	H179470
80		000 51-13-114/17	H179471
100	4"	000 51-13-115/17	H179472

13. Trouble Shooting

Failure	Remedy
Valve closed	
Leakage at discharge side	Replace seat seal (2, 2.1) . Check line pressure (max. 10 bar) .
	Check control of seat lift actuator.
Leakage between housing and yoke flange	Check housing seal (7) and shaft seal (4, 5) , replace damaged seals.
Leakage at valve shaft	Replace shaft seal (4, 5) .
Spring cylinder	
Correction at spring cylinder is not possible.	Replace complete spring cylinder (21) .
Seat lift actuator	
Seat lift actuator does not work (air escapes permanently from the shaft rod).	Replace o-ring (19) .
Seat lift actuator does not work (air escapes permanently from the vent bore).	Replace complete spring cylinder. Do not open cylinder by force. Spring force!
Valve position indication	
No feedback.	Carry out fine adjustment.

14. Spare Parts Lists

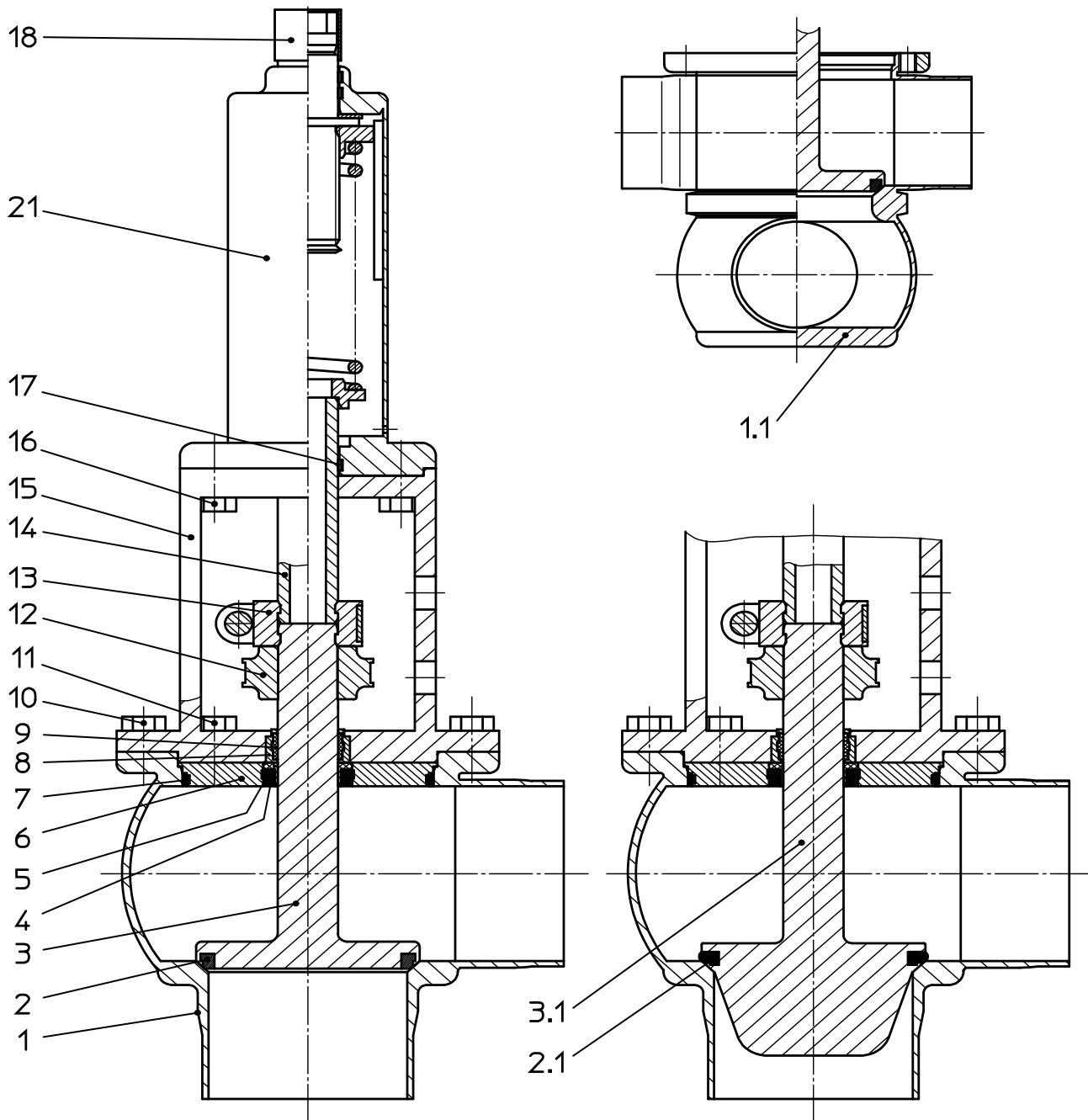
The reference numbers of the spare parts for the different valve designs and sizes are included in the attached spare parts drawings with corresponding lists.

Please indicate the following data to place an order for spare parts:

- number of required parts
- reference number
- designation


subject to change

Weitergabe sowie Vervielfältigung dieser Unterlage, Verwertung und Mitteilung ihres Inhalts nicht gestattet, soweit nicht schriftlich zugestanden. Verstöße verpflichten zum Schadensersatz und kann strafrechtliche Folgen haben (Paragraph 18 UWG, Paragraph 106 UrhG). Eigentum und alle Rechte, auch für Patenterteilung und Gebrauchsmustereintragung, vorbehalten. SPX FLOW, Germany.



Datum:	14.07.14	10.07.17							
Name:	Trytko	Keil							
Geprüft:									

Ersatzteilliste: spare parts list
Überströmventil / Relief valve UF3, UFE3, UFR3, UFRE3
Ausführungen: I. Federzylinder und II. Federzylinder mit Anlüftzylinder
Designs: I. spring cylinder and II. spring cylinder with seat lift actuator
DN 25-100 ; 1-4 Zoll / inch

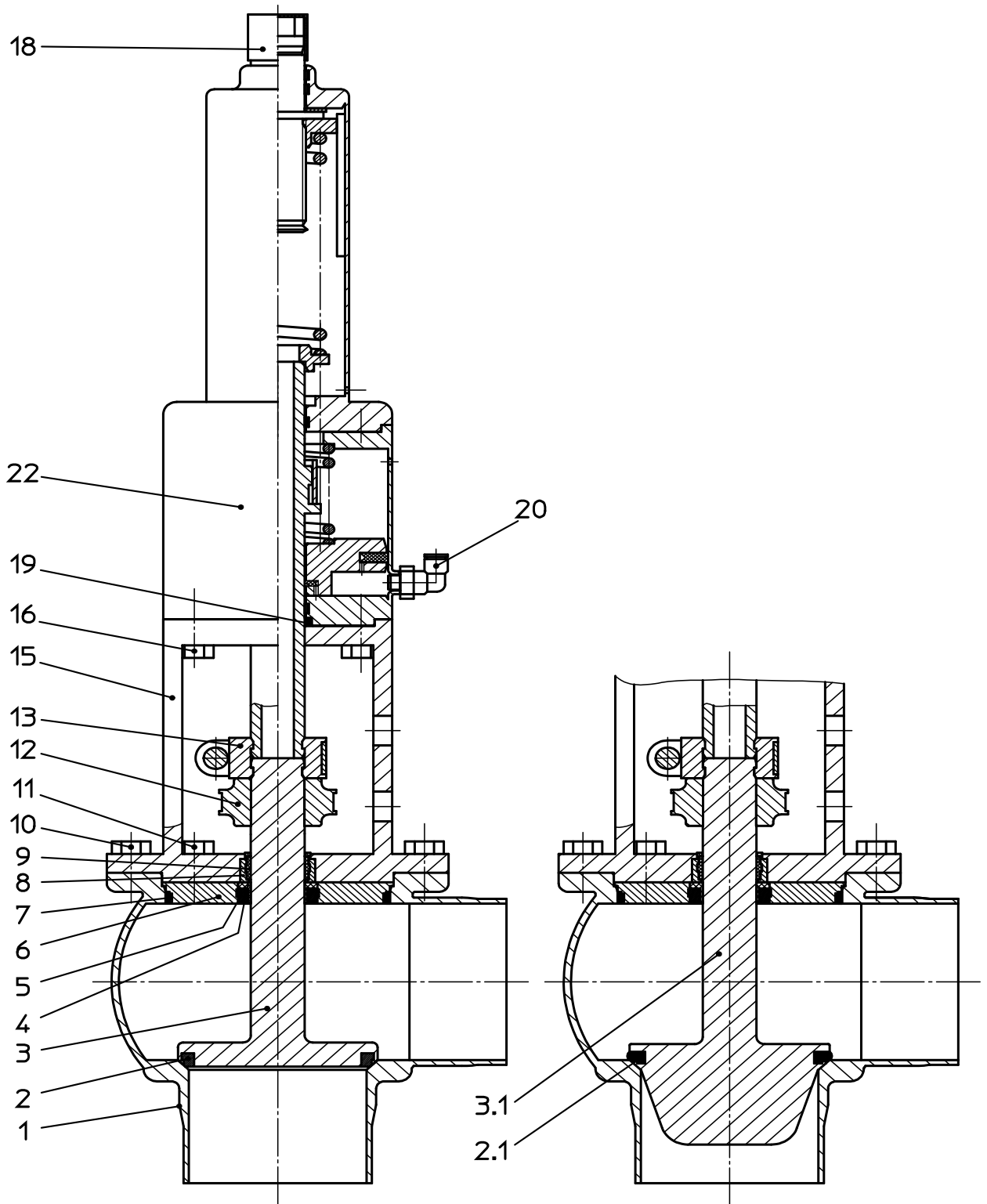


SPX FLOW
Germany

Blatt 1 von 10

RN 01.054.53

Weitergabe sowie Vervielfältigung dieser Unterlage, Verwertung und Mitteilung ihres Inhalts nicht gestattet, soweit nicht schriftlich zugestanden. Verstöße verpflichten zum Schadensersatz und kann strafrechtliche Folgen haben (Paragraf 18 UWG, Paragraf 106 UrhG). Eigentum und alle Rechte, auch für Patenterteilung und Gebrauchsmustereintragung, vorbehalten. SPX FLOW, Germany



Datum:	14.07.14	10.07.17								
Name:	Trytko	Keil								
Geprüft:										

Ersatzteilliste: spare parts list
Überströmventil / Relief valve UF3, UFE3, UFR3, UFRE3
Ausführungen: I. Federzylinder und II. Federzylinder mit Anlüftzylinder
Designs: I. spring cylinder and II. spring cylinder with seat lift actuator
DN 25-100 ; 1-4 Zoll / inch

APV
 SPX FLOW
 Germany
 Blatt 2 von 10
RN 01.054.53

Weitergabe sowie Vervielfältigung dieser Unterlage, Verwertung und Mitteilung ihres Inhalts nicht gestattet, soweit nicht schriftlich zugestanden. Verstoß verpflichtet zum Schadensersatz und kann strafrechtliche Folgen haben (Paragraf 18 UWG, Paragraf 106 UrhG). Eigentum und alle Rechte, auch für Patenterteilung und Gebrauchsmustereintragung, vorbehalten. SPX FLOW, Germany

Ersatzteilliste: spare parts list

Überströmventil / Relief valve UF3, UFE3, UFR3, UFRE3
Ausführungen: I. Federzylinder und II. Federzylinder mit Anlüftungzylinder
Designs: I. spring cylinder and II. spring cylinder with seat lift actuator
DN 25-100 ; 1-4 Zoll / inch

Datum:	14.07.14	10.07.17		
Name:	Trytko	Keil		
Geprüft:				
Datum:				
Name:				
Geprüft:				



Blatt 3 von 10
RN 01.054.53

pos. item	Menge quantity	Beschreibung description	Material	DN25		1"		DN40		1,5"		DN50		2"
				WS-Nr. ref.-no.	WS-Nr. ref.-no.	WS-Nr. ref.-no.	WS-Nr. ref.-no.	WS-Nr. ref.-no.	WS-Nr. ref.-no.	WS-Nr. ref.-no.	WS-Nr. ref.-no.	WS-Nr. ref.-no.	WS-Nr. ref.-no.	
1	1	Gehäuse Housing	1.4404	15-41-276/47 H34161	15-41-324/47 H34176	15-41-376/47 H34180	15-41-424/47 H34196	15-41-426/47 H34200	15-41-474/47 H34221					
	1	Gehäuse Housing	1.4404	15-42-276/47 H34341	15-42-313/47 H34351	15-42-376/47 H34354	15-42-413/47 H34360	15-42-426/47 H34363	15-42-463/47 H34370					
	1	Gehäuse Housing	1.4404	15-46-276/47 H34631	15-46-313/47 H34634	15-46-376/47 H34636	15-46-413/47 H34639	15-46-426/47 H34641	15-46-463/47 H34645					
1.1	1	Gehäuse Housing	1.4404	15-47-276/47 H34680	15-47-313/47 H34682	15-47-376/47 H34684	15-47-413/47 H34686	15-47-426/47 H34688	15-47-463/47 H34690					
	1	Gehäuse Housing	1.4404	15-48-276/47 H34710	15-48-313/47 H34712	15-48-376/47 H34714	15-48-413/47 H34716	15-48-426/47 H34718	15-48-463/47 H34720					
	1	Gehäuse Housing	1.4404	15-49-276/47 H34751	15-49-313/47 H34753	15-49-376/47 H34755	15-49-413/47 H34757	15-49-426/47 H34759	15-49-463/47 H34761					
2	1	Tellerdichtung Seat seal	EPDM FDA-konform	58-33-293/93 H77442	58-33-293/93 H77442	58-33-393/93 H77467	58-33-443/93 H77491	58-33-443/93 H77491						
	1	Tellerdichtung Seat seal	FPM FDA-konform	58-33-293/73 H77441	58-33-293/73 H77441	58-33-393/73 H77466	58-33-443/73 H77490	58-33-443/73 H77490						
	1	Tellerdichtung Seat seal	HNBR FDA-konform	58-33-293/33 H170176	58-33-293/33 H170176	58-33-393/33 H166676	58-33-443/33 H166085	58-33-443/33 H166085						
	1	Tellerdichtung Seat seal	VMQ FDA-konform	58-33-293/13 H77440	58-33-293/13 H77440	58-33-393/13 H77465	58-33-443/13 H77489	58-33-443/13 H77489						
	1	Tellerdichtung Seat seal	EPDM FDA-konform	58-33-294/93 H77445	58-33-294/93 H77445	58-33-394/93 H77470	58-33-444/93 H77494	58-33-444/93 H77494						
2.1	1	Tellerdichtung Seat seal	FPM FDA-konform	58-33-294/73 H77444	58-33-294/73 H77444	58-33-394/73 H77469	58-33-444/73 H77493	58-33-444/73 H77493						
	1	Tellerdichtung Seat seal	HNBR FDA-konform	58-33-294/33 H172173	58-33-294/33 H172173	58-33-394/33 H172175	58-33-444/33 H165709	58-33-444/33 H165709						
3	1	Tellerdichtung Seat seal	VMQ FDA-konform	58-33-294/13 H77443	58-33-294/13 H77443	58-33-394/13 H77468	58-33-444/13 H77492	58-33-444/13 H77492						
	1	Shaft Shaft	1.4404	15-22-284/42 H30078	15-22-170/42 H105422	15-22-384/42 H30162	15-22-417/42 H30207	15-22-434/42 H30231	15-22-467/42 H30290					
3.1	1	Shaft mit Regelkegel Shaft with control cone	1.4404	15-22-150/42 H29982	15-22-171/42 H105424	15-22-151/42 H29983	15-22-164/42 H140321	15-22-152/42 H29985	15-22-165/42 H29993					

Ersatzteilliste: spare parts list

Überströmventil / Relief valve UF3, UFE3, UFR3, UFRE3
Ausführungen: I. Federzylinder und II. Federzylinder mit Anlüftzylinder
Designs: I. spring cylinder and II. spring cylinder with seat lift actuator
DN 25-100 ; 1-4 Zoll / inch

pos. item	Menge quantity	Beschreibung description	Material	DN25	1"	DN40	1,5"	DN50	2"
4	1	Schaftdichtung Shaft seal	Turcon MF6						
5	1	Tellerdichtung Seat seal	EPDM FDA-konform						
	1	Tellerdichtung Seat seal	FPM FDA-konform						
	1	Tellerdichtung Seat seal	HNBR FDA-konform						
	1	Tellerdichtung Seat seal	VMQ FDA-konform						
6	1	Gehäusedeckel Housing cover	1.4404	15-00-065/42 H156869		15-00-069/42 H156409		15-00-793/42 H148194	
	1	Gehäusedichtung Housing seal	EPDM FDA-konform	58-33-292/93 H77439		58-33-392/93 H77464		58-33-442/93 H77488	
7	1	Gehäusedichtung Housing seal	HNBR FDA-konform	58-33-292/33 H170017		58-33-392/33 H170018		58-33-442/33 H168714	
	1	Gehäusedichtung Housing seal	FPM FDA-konform	58-33-292/73 H77438		58-33-392/73 H77463		58-33-442/73 H77487	
8	1	Führungsbuchse Bushing	1.4301			08-01-181/12 H148192			
9	1	Führungsbuchse Bushing	PTFE + 25% Kohle			08-01-178/23 H207154			
10	4	Skt. Schraube Hex. screw	1.4301			65-01-081/15 M8x16 H78772			
11	1	Skt. Schraube Hex. screw	1.4301	65-01-056/13 M6x16 H78751		65-01-081/15 M8x16 H78772			
12	1	Schaltnocke Operating cam	1.4301 / PA12	08-60-082/12 H16295		08-60-082/12 H16295		08-52-135/93 H165885	
13	1	Kupplung Coupling	1.4301			08-52-110/13 H15938			
14	1	Zwischenstück Intermediate piece	1.4404	09-87-084/42 H19710		09-87-084/42 H19710		09-87-085/42 H19711	

Datum:	14.07.14	10.07.17
Name:	Trytko	Keil
Geprüft:		

Datum:			
Name:			
Geprüft:			

Blatt 4 von 10

RN 01.054.53



Ersatzteilliste: spare parts list

Überströmventil / Relief valve UF3, UFE3, UFR3, UFRE3
Ausführungen: I. Federzylinder und II. Federzylinder mit Anlüftzylinder
Designs: I. spring cylinder and II. spring cylinder with seat lift actuator
DN 25-100 ; 1-4 Zoll / inch

Datum:	14.07.14	10.07.17	
Name:	Trytko	Keil	
Geprüft:			
Datum:			
Name:			
Geprüft:			



Blatt 7 von 10
RN 01.054.53


pos. item	Menge quantity	Beschreibung description	Material	DN65		2.5"		3"		DN80		DN100		4"
				WS-Nr. ref.-no.	WS-Nr. ref.-no.	WS-Nr. ref.-no.	WS-Nr. ref.-no.	WS-Nr. ref.-no.	WS-Nr. ref.-no.	WS-Nr. ref.-no.	WS-Nr. ref.-no.			
1	1	Gehäuse Housing UF31 1+2S	1.4404	15-41-476/47 H34225	15-41-524/47 H34244	15-41-551/47 H34263	15-41-526/47 H34248	15-41-526/47 H34248	15-41-626/47 H34277	15-41-626/47 H34292	15-41-674/47 H34292	15-41-674/47 H34292		
	1	Gehäuse Housing UF32 1+2+3S	1.4404	15-42-476/47 H34374	15-42-513/47 H34382	15-42-551/47 H34390	15-42-526/47 H34396	15-42-526/47 H34396	15-42-626/47 H34396	15-42-626/47 H34402	15-42-674/47 H34402	15-42-674/47 H34402		
	1	Gehäuse Housing UFE31 1+2S	1.4404	15-46-476/47 H34647	15-46-513/47 H34650	15-46-551/47 H34655	15-46-526/47 H34652	15-46-526/47 H34652	15-46-626/47 H34658	15-46-626/47 H34663	15-46-663/47 H34663	15-46-663/47 H34663		
1.1	1	Gehäuse Housing UFE32 1+2+3S	1.4404	15-47-476/47 H34692	15-47-513/47 H34694	15-47-551/47 H34698	15-47-526/47 H34696	15-47-526/47 H34696	15-47-626/47 H34700	15-47-626/47 H34703	15-47-663/47 H34703	15-47-663/47 H34703		
	1	Gehäuse Housing UFE33 1+2+3S	1.4404	15-48-476/47 H34723	15-48-513/47 H34726	15-48-551/47 H34730	15-48-526/47 H34728	15-48-526/47 H34728	15-48-626/47 H34734	15-48-626/47 H34737	15-48-663/47 H34737	15-48-663/47 H34737		
	1	Gehäuse Housing UFE34 1+2+3+4S	1.4404	15-49-476/47 H34764	15-49-513/47 34766	15-49-551/47 H34770	15-49-526/47 H34768	15-49-526/47 H34768	15-49-626/47 H34773	15-49-626/47 H34775	15-49-663*47 H34775	15-49-663*47 H34775		
2	1	Tellerdichtung Seat seal	EPDM FDA-konform	58-33-493/93 H77515	58-33-493/93 H77515	58-33-568/93 H77561	58-33-543/93 H77546	58-33-543/93 H77546	58-33-643/93 H77586	58-33-643/93 H77586	58-33-643/93 H77586	58-33-643/93 H77586		
	1	Tellerdichtung Seat seal	FPM FDA-konform	58-33-493/73 H77514	58-33-493/73 H77514	58-33-568/73 H77560	58-33-543/73 H77545	58-33-543/73 H77545	58-33-643/73 H77785	58-33-643/73 H77785	58-33-643/73 H77785	58-33-643/73 H77785		
	1	Tellerdichtung Seat seal	HNBR FDA-konform	58-33-493/33 H166678	58-33-493/33 H166678	58-33-568/33 H166679	58-33-543/33 H166681	58-33-543/33 H166681	58-33-643/33 H166682	58-33-643/33 H166682	58-33-643/33 H166682	58-33-643/33 H166682		
	1	Tellerdichtung Seat seal	VMQ FDA-konform	58-33-493/13 H77513	58-33-493/13 H77513	58-33-568/13 H77559	58-33-543/13 H77544	58-33-543/13 H77544	58-33-643/13 H77584	58-33-643/13 H77584	58-33-643/13 H77584	58-33-643/13 H77584		
	1	Tellerdichtung Seat seal	EPDM FDA-konform	58-33-494/93 H77518	58-33-494/93 H77518	58-33-569/93 H77564	58-33-544/93 H77549	58-33-544/93 H77549	58-33-644/93 H77589	58-33-644/93 H77589	58-33-644/93 H77589	58-33-644/93 H77589		
	1	Tellerdichtung Seat seal	FPM FDA-konform	58-33-494/73 H77517	58-33-494/73 H77517	58-33-569/73 H77563	58-33-544/73 H77548	58-33-544/73 H77548	58-33-644/73 H77588	58-33-644/73 H77588	58-33-644/73 H77588	58-33-644/73 H77588		
2.1	1	Tellerdichtung Seat seal	HNBR FDA-konform	58-33-494/33 H172178	58-33-494/33 H172178	58-33-569/33 H176688	58-33-544/33 H172180	58-33-544/33 H172180	58-33-644/33 H172183	58-33-644/33 H172183	58-33-644/33 H172183	58-33-644/33 H172183		
	1	Tellerdichtung Seat seal	VMQ FDA-konform	58-33-494/13 H77516	58-33-494/13 H77516	58-33-569/13 H77562	58-33-544/13 H77547	58-33-544/13 H77547	58-33-644/13 H77587	58-33-644/13 H77587	58-33-644/13 H77587	58-33-644/13 H77587		
3	1	Shaft Shaft UF3	1.4404	15-22-484/42 H30314	15-22-517/42 H30363	15-22-559/42 H30439	15-22-534/42 H30384	15-22-534/42 H30384	15-22-634/42 H30485	15-22-634/42 H30532	15-22-667/42 H30532	15-22-667/42 H30532		
	1	Shaft mit Regelkegel Shaft with control cone UFR3	1.4404	15-22-153/42 H29986	15-22-166/42 H29995	15-22-154/42 H39988	15-22-155/42 H29990	15-22-155/42 H29990	15-22-156/42 H29991	15-22-156/42 H29991	15-22-218/42 H144652	15-22-218/42 H144652		

Weitergabe sowie Vervielfältigung dieser Unterlage, Verwertung und Mitteilung ihres Inhalts nicht gestattet, soweit nicht schriftlich zugestanden. Verstöß verpflichtet zum Schadensersatz und kann strafrechtliche Folgen haben (Paragraf 18 UWG, Paragraf 106 UrhG). Eigentum und alle Rechte, auch für Patenterteilung und Gebrauchsmustereintragung, vorbehalten. SPX FLOW, Germany

Ersatzteilliste: spare parts list

Überströmventil / Relief valve UF3, UFE3, UFR3, UFRE3
Ausführungen: I. Federzylinder und II. Federzylinder mit Anlüftzylinder
Designs: I. spring cylinder and II. spring cylinder with seat lift actuator
DN 25-100 ; 1-4 Zoll / inch

Datum:	14.07.14	10.07.17
Name:	Trytko	Keil
Geprüft:		
Datum:		
Name:		
Geprüft:		
Blatt 8 von 10		
RN 01.054.53		

	
---	--

pos. item	Menge quantity	Beschreibung description	Material	DN65	2,5"	3"	DN80	DN100	4"
			WS-Nr. ref.-no.	WS-Nr. ref.-no.	WS-Nr. ref.-no.	WS-Nr. ref.-no.	WS-Nr. ref.-no.	WS-Nr. ref.-no.	WS-Nr. ref.-no.
4	1	Schaftdichtung Shaft seal	Turcon MF6			3A0 58-33-151/24 H323082			
5	1	Tellerdichtung Seat seal	EPDM FDA-konform		58-33-293/93 H77442				
	1	Tellerdichtung Seat seal	FPM FDA-konform		58-33-293/73 H77441				
	1	Tellerdichtung Seat seal	HNBR FDA-konform		58-33-293/33 H170176				
	1	Tellerdichtung Seat seal	VMQ FDA-konform		58-33-293/13 H77440				
6	1	Gehäusedeckel Housing cover	1.4404	15-00-794/42 H151968	15-00-799/42 H159895	15-00-797/42 H156593		15-00-798/42 H159888	
	1	Gehäusedichtung Housing seal	EPDM FDA-konform	58-33-492/93 H77512	58-33-567/93 H77558	58-33-542/93 H77543		58-33-642/93 H77583	
7	1	Gehäusedichtung Housing seal	HNBR FDA-konform	58-33-492/33 H168759	58-33-567/33 H170013	58-33-542/33 H170075		58-33-642/33 H170074	
	1	Gehäusedichtung Housing seal	FPM FDA-konform	58-33-492/73 H77511	58-33-567/73 H77557	58-33-542/73 H77542		58-33-642/73 H77582	
8	1	Führungsbuchse Bushing	1.4301		08-01-179/12 H156220				
9	1	Führungsbuchse Bushing	PTFE + 25% Kohle		08-01-178/23 H207154				
10	4	Skt. Schraube Hex. screw	1.4301	65-01-081/15 M8x16 H78772				65-01-130/15 M10x16 H78806	
11	1	Skt. Schraube Hex. screw	1.4301	DIN EN 24017-A2-70					
12	1	Schaltnocke Operating cam	1.4301 / PA12	DIN EN 24017-A2-70					
13	1	Kupplung Coupling	1.4301						
14	1	Zwischenstück Intermediate piece	1.4404						

Weitergabe sowie Vervielfältigung dieser Unterlage, Verwertung und Mitteilung ihres Inhalts nicht gestattet, soweit nicht schriftlich zugestanden. Verstöß verpflichtet zum Schadensersatz und kann strafrechtliche Folgen haben (Paragraf 18 UWG, Paragraf 106 UrhG). Eigentum und alle Rechte, auch für Patenterteilung und Gebrauchsmustererteilung, vorbehalten. SPX FLOW, Germany

Ersatzteilliste: spare parts list

Überströmventil / Relief valve UF3, UFE3, UFR3, UFRE3
Ausführungen: I. Federzylinder und II. Federzylinder mit Anlüftzylinder
Designs: I. spring cylinder and II. spring cylinder with seat lift actuator
DN 25-100 ; 1-4 Zoll / inch


Datum:	14.07.14	10.07.17
Name:	Trytko	Keil
Geprüft:		
Datum:		
Name:		
Geprüft:		

Blatt 9 von 10	
RN 01.054.53	



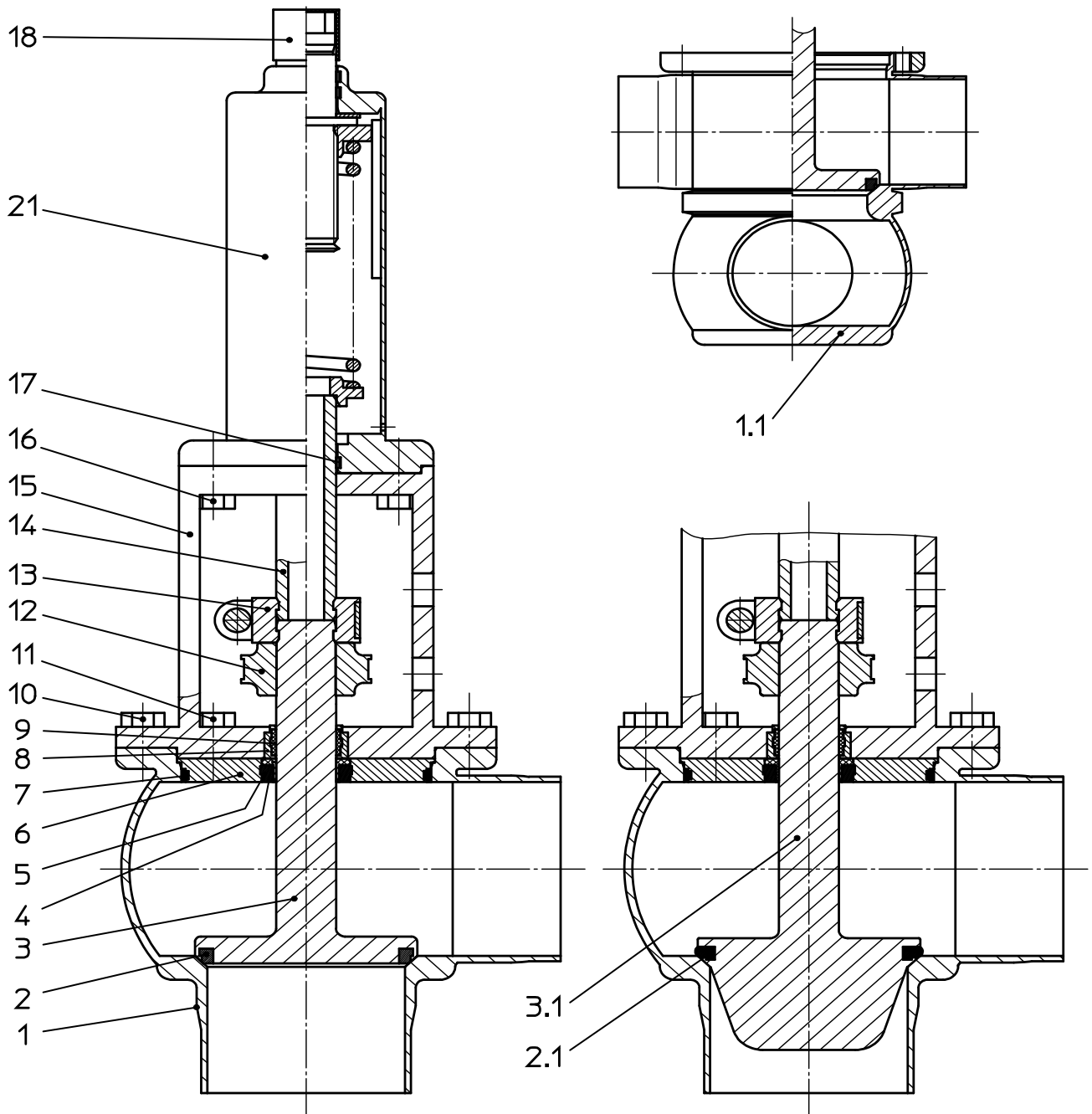
pos. item	Menge quantity	Beschreibung description	Material	DN65	2.5"	3"	DN80	DN100	4"	
15	1	Laterne Yoke	1.4308	WS-Nr. ref.-no. 16-40-485/17 H40529	WS-Nr. ref.-no. 16-40-560/17 H40547	WS-Nr. ref.-no. 16-40-535/17 H40540	WS-Nr. ref.-no. 16-40-096/17 H179815			
16	4	Skt. Schraube Hex. screw DIN EN 24017-A2-70	1.4301	65-01-079/15 M8x14 H78768						
17	1	Führungsband PTFE guide strap	Turcite	08-39-079/93 H14879						
18	1	Verschlußkappe Cap	PE-weich-gelb	08-60-006/93 H16219						
19	1	O-Ring 20,2x3	NBR	58-06-078/83 H76943						
20	1	W-Verschraubung Elbow connector G1/8" 6x1	1.4301/PA	08-60-750/93 H208825						
21	1	Federzylinder Spring cylinder	1.4301	je nach Druckbereich entsprechenden Federzylinder einsetzen use spring cylinder depending on required pressure range						
				Nr.31 16-30-170/17 H39536	Nr.32 16-30-171/17 H39537	Nr.33 16-30-172/17 H39538	Nr.34 16-30-173/17 H39539			
22	1	Federzylinder mit Anlüftzylinder Spring cylinder with seat lift actuator	1.4301	je nach Druckbereich entsprechenden Federzylinder mit Anlüftzylinder einsetzen use spring cylinder with seat lift actuator depending on required pressure range						
				Nr.31-12 16-30-180/17 H39543	Nr.32-12 16-30-182/17 H39545	Nr.33-12 16-30-184/17 H39547	Nr.34-25 16-30-186/17 H39549			
				Nr.31-25 16-30-181/17 H39544	Nr.32-25 16-30-183/17 H39546	Nr.33-25 16-30-185/17 H39548				

Weitergabe sowie Vervielfältigung dieser Unterlage, Verwertung und Mitteilung ihres Inhalts nicht gestattet, soweit nicht schriftlich zugestanden. Verstöß verpflichtet zum Schadensersatz und kann strafrechtliche Folgen haben (Paragraf 18 UWG, Paragraf 106 UrhG). Eigentum und alle Rechte, auch für Patenterteilung und Gebrauchsmustererteilung, vorbehalten. SPX FLOW, Germany

Ersatzteilliste: spare parts list		Überströmventil / Relief valve UF3, UFE3, UFR3, UFRE3 Ausführungen: I. Federzylinder und II. Federzylinder mit Anlüftzylinder Designs: I. spring cylinder and II. spring cylinder with seat lift actuator DN 25-100 ; 1-4 Zoll / inch							
pos. item	Menge quantity	Beschreibung description	Material	DN65	2,5"	3"	DN80	DN100	4"
			material	WS-Nr. ref.-no.	WS-Nr. ref.-no.	WS-Nr. ref.-no.	WS-Nr. ref.-no.	WS-Nr. ref.-no.	WS-Nr. ref.-no.
Dichtungssatz / seal kit UF3, UFE3 Pos. 2, 4, 5, 7, 9 nur im kompletten Dichtungssatz erhältlich / Item 2, 4, 5, 7, 9 available as complete seal kits only									
		Dichtungssatz Seal kit	FPM	58-34-441/00 H179245	58-34-443/00 H179261	58-34-442/00 H179251	58-34-444/00 H179257		
		Dichtungssatz Seal kit	EPDM	58-34-441/01 H179247	58-34-443/01 H179262	58-34-442/01 H179253	58-34-444/01 H179258		
		Dichtungssatz Seal kit	VMQ	58-34-441/02 H179249	58-34-443/02 H179263	58-34-442/02 H179254	58-34-444/02 H179259		
		Dichtungssatz Seal kit	HNBR	58-34-441/06 H179250	58-34-443/06 H179264	58-34-442/06 H179255	58-34-444/06 H179260		
Dichtungssatz / seal kit UFR3, UFRE3 (mit Regelkegel / with control cone) Pos. 2, 1, 4, 5, 7, 9 nur im kompletten Dichtungssatz erhältlich / Item 2, 1, 4, 5, 7, 9 available as complete seal kits only									
		Dichtungssatz Seal kit	FPM	58-34-453/00 H179277	58-34-455/00 H179290	58-34-454/00 H179281	58-34-456/00 H179285		
		Dichtungssatz Seal kit	EPDM	58-34-453/01 H179278	58-34-455/01 H179291	58-34-454/01 H179282	58-34-456/01 H179286		
		Dichtungssatz Seal kit	VMQ	58-34-453/02 H179279	58-34-455/02 H179292	58-34-454/02 H179283	58-34-456/02 H179287		
		Dichtungssatz Seal kit	HNBR	58-34-453/06 H179280	58-34-455/06 H179297	58-34-454/06 H179284	58-34-456/06 H179289		

Datum: 14.07.14
 Name: Trytko
 Geprüft: Keil
 Blatt 10 von 10
 RN 01.054.53

Weitergabe sowie Vervielfältigung dieser Unterlage, Verwertung und Mitteilung ihres Inhalts nicht gestattet, soweit nicht schriftlich zugestanden. Verstößt verpflichtet zum Schadensersatz und kann strafrechtliche Folgen haben (Paragraf 18 UWG, Paragraf 106 UrhG). Eigentum und alle Rechte, auch für Patenterteilung und Gebrauchsmustereintragung, vorbehalten. SPX FLOW, Germany



Datum:	18.0714																			
Name:	Trytko																			
Geprüft:																				

Ersatzteilliste: spare parts list
Überströmventil / Relief valve UF3, UFE3, UFR3, UFRE3
Ausführungen: I. Federzylinder und II. Federzylinder mit Anlüftzylinder
Designs: I. spring cylinder and II. spring cylinder with seat lift actuator
1-4 Zoll / inch

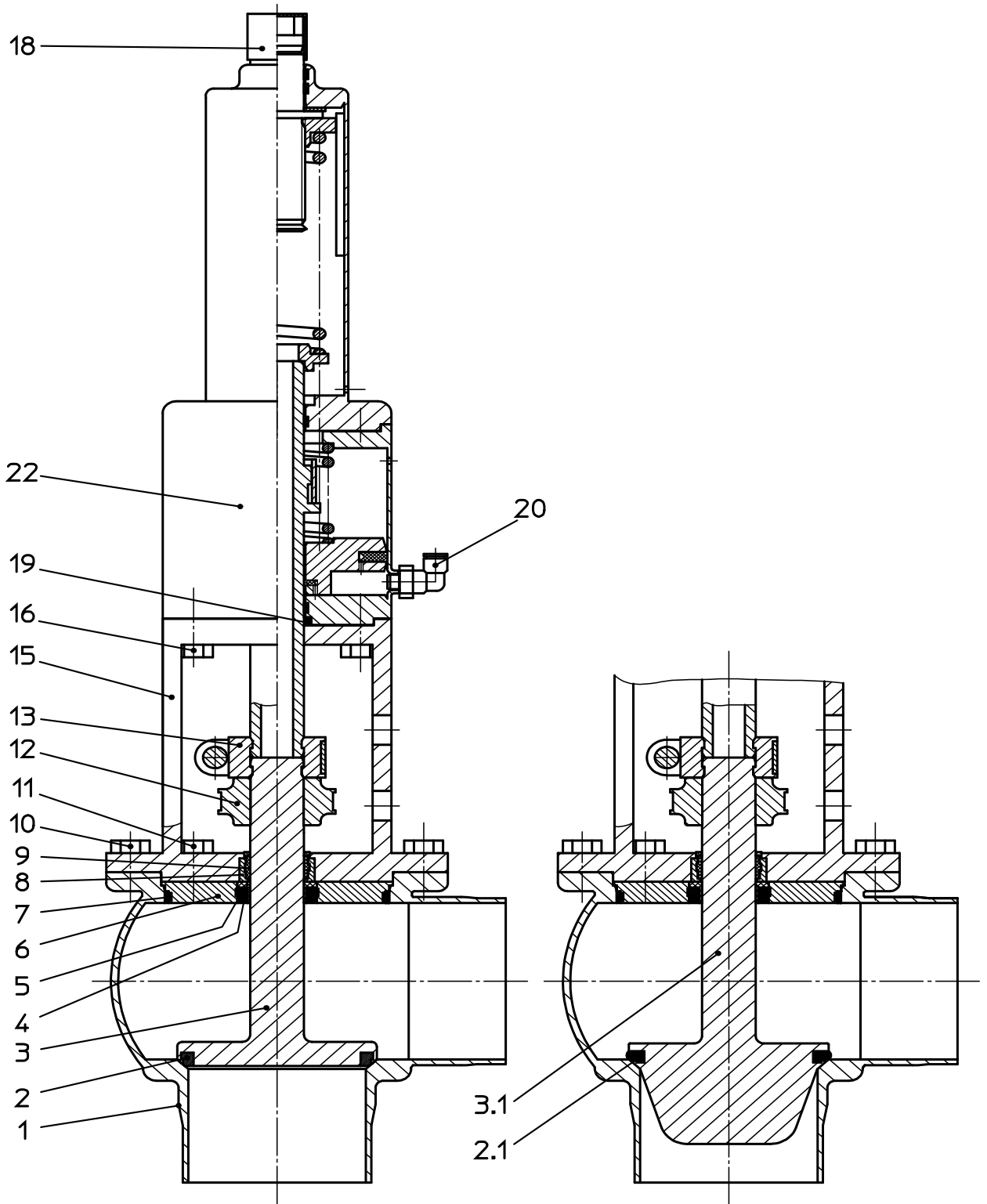


SPX FLOW
Germany

Blatt 1 von 7

RN 01.054.574

Weitergabe sowie Vervielfältigung dieser Unterlage, Verwertung und Mitteilung ihres Inhalts nicht gestattet, soweit nicht schriftlich zugestanden. Verstößt verpflichtet zum Schadensersatz und kann strafrechtliche Folgen haben (Paragraf 18 UWG, Paragraf 106 UrhG). Eigentum und alle Rechte, auch für Patenterteilung und Gebrauchsmustereintragung, vorbehalten. SPX FLOW, Germany




Datum:	18.0714								
Name:	Trytko								
Geprüft:									

Ersatzteilliste: spare parts list
Überströmventil / Relief valve UF3, UFE3, UFR3, UFRE3
Ausführungen: I. Federzylinder und II. Federzylinder mit Anlüftzylinder
Designs: I. spring cylinder and II. spring cylinder with seat lift actuator
 1-4 Zoll / inch



APV
 SPX FLOW
 Germany
 Blatt 2 von 7
RN 01.054.574

Ersatzteilliste: spare parts list		Datum:	18.07.14			 SPX FLOW Germany
		Name:	Trytko			
		Geprüft:				
		Datum:				Blatt 3 von 7
		Name:				RN 01.054.574
		Geprüft:				

Überstromventil / Relief valve UF3, UFE3, UFR3, UFRE3
Ausführungen: I. Federzylinder und II. Federzylinder mit Anlüftzylinder
Designs: I. spring cylinder and II. spring cylinder with seat lift actuator
1-4 Zoll / inch

pos. item	Menge quantity	Beschreibung description	Material	1"	1,5"	2"	2,5"	3"	4"
				WS-Nr. ref.-no.	WS-Nr. ref.-no.	WS-Nr. ref.-no.	WS-Nr. ref.-no.	WS-Nr. ref.-no.	WS-Nr. ref.-no.
1	1	Gehäuse Housing	1.4404	3A0 15-41-324/43 H207629	3A0 15-41-424/43 H207465	3A0 15-41-474/43 H206981	3A0 15-41-524/43 H207451	3A0 15-41-551/43 H207124	3A0 15-41-674/43 H312067
	1	Gehäuse Housing		3A0 15-41-324/47 H324735	3A0 15-41-424/47	3A0 15-41-474/47 H326982	3A0 15-41-524/47	3A0 15-41-551/47 H320211	3A0 15-41-674/47 H320603
	1	Gehäuse Housing		3A 0 15-42-313/43	3A0 15-42-413/43	3A0 15-42-463/43 H320314	3A0 15-42-513/43	3A0 15-42-551/43 H207462	3A0 15-42-674/43
	1	Gehäuse Housing		3A 0 15-42-313/47	3A0 15-42-413/47	3A0 15-42-463/47	3A0 15-42-513/47	3A0 15-42-551/47	3A0 15-42-674/47
	1	Gehäuse Housing		blank geschliffen / bright ground	3A0 15-46-313/43	3A0 15-46-463/43	3A0 15-46-513/43	3A0 15-46-551/43	3A0 15-46-663/43
	1	Gehäuse Housing		blank geschliffen / bright ground	3A0 15-46-313/47	3A0 15-46-413/47	3A0 15-46-463/47	3A0 15-46-513/47	3A0 15-46-663/47
	1	Gehäuse Housing		matt-glänzend / satin finish	3A0 15-47-313/43	3A0 15-47-413/43	3A0 15-47-463/43	3A0 15-47-513/43	3A0 15-47-663/43
	1	Gehäuse Housing		matt-glänzend / bright ground	3A0 15-47-313/47	3A0 15-47-413/47	3A0 15-47-463/47	3A0 15-47-513/47	3A0 15-47-663/47
	1	Gehäuse Housing		blank geschliffen / bright ground	3A0 15-48-313/43	3A0 15-48-413/43	3A0 15-48-463/43	3A0 15-48-513/43	3A0 15-48-663/43
	1	Gehäuse Housing		blank geschliffen / bright ground	3A0 15-48-313/47	3A0 15-48-413/47	3A0 15-48-463/47	3A0 15-48-513/47	3A0 15-48-663/47
1.1	1	Tellerdichtung Seat seal	1.4404	58-33-293/93 H77442	58-33-393/93 H77467	58-33-443/93 H77491	58-33-493/93 H77515	58-33-568/93 H77561	58-33-643/93 H77586
	1	Tellerdichtung Seat seal		58-33-293/73	58-33-393/73	58-33-443/73	58-33-493/73	58-33-568/73	58-33-643/73
	1	Tellerdichtung Seat seal		H77441	H77466	H77490	H77514	H77560	H77785
	1	Tellerdichtung Seat seal		58-33-293/33	58-33-393/33	58-33-443/33	58-33-493/33	58-33-568/33	58-33-643/33
2	1	Tellerdichtung Seat seal	1.4404	H170176	H166676	H166085	H166678	H166679	H166682
	1	Tellerdichtung Seat seal		58-33-293/13	58-33-393/13	58-33-443/13	58-33-493/13	58-33-568/13	58-33-643/13
	1	Tellerdichtung Seat seal		H77440	H77465	H77489	H77513	H77559	H77584
	1	Tellerdichtung Seat seal		58-33-293/93	58-33-393/93	58-33-443/93	58-33-493/93	58-33-568/93	58-33-643/93

Weitergabe sowie Vervielfältigung dieser Unterlage, Verwertung und Mitteilung ihres Inhalts nicht gestattet, soweit nicht schriftlich zugestanden. Verstößt verpflichtet zum Schadensersatz und kann strafrechtliche Folgen haben (Paragraf 18 UWG, Paragraf 106 UrtG). Eigentum und alle Rechte, auch für Patenterteilung und Gebrauchsmustererteilung, vorbehalten. SPX FLOW, Germany

Ersatzteilliste: spare parts list

Überströmventil / Relief valve UF3, UFE3, UFR3, UFRE3

Ausführungen: I. Federzylinder und II. Federzylinder mit Anlüftungszylinder

Designs: I. spring cylinder and II. spring cylinder with seat lift actuator
1-4 Zoll / inch

pos. item	Menge quantity	Beschreibung description	Material	1"	1,5"	2"	2,5"	3"	4"
				WS-Nr. ref.-no.	WS-Nr. ref.-no.	WS-Nr. ref.-no.	WS-Nr. ref.-no.	WS-Nr. ref.-no.	WS-Nr. ref.-no.
2.1	1	Tellerdichtung Seat seal	EPDM FDA-konform	58-33-294/93 H77445	58-33-394/93 H77470	58-33-444/93 H77494	58-33-494/13 H77516	58-33-569/13 H77561	58-33-644/13 H77587
	1	Tellerdichtung Seat seal	FPM FDA-konform	58-33-294/73 H77444	58-33-394/73 H77469	58-33-444/73 H77493	58-33-494/33 H172178	58-33-569/33 H176688	58-33-644/33 H172183
	1	Tellerdichtung Seat seal	HNBR FDA-konform	58-33-294/33 H172173	58-33-394/33 H172175	58-33-444/33 H165709	58-33-494/73 H77517	58-33-569/73 H77563	58-33-644/73 H77588
	1	Tellerdichtung Seat seal	VMQ FDA-konform	58-33-294/13 H77443	58-33-394/13 H77468	58-33-444/13 H77492	58-33-494/93 H77518	58-33-569/93 H77564	58-33-644/93 H77589
3	Schaft Shaft	1.4404	15-22-170/42 H105422	15-22-417/42 H30207	15-22-467/42 H30290	15-22-517/42 H30363	15-22-559/42 H30439	15-22-667/42 H30532	15-22-218/42 H144652
3.1	Schaft mit Regelkegel Shaft with control cone	1.4404	15-22-171/42 H105424	15-22-164/42 H140321	15-22-165/42 H29993	15-22-166/42 H29995	15-22-154/42 H39988	15-22-218/42 H144652	
4	Schaftdichtung Shaft seal	Turcon MF6			3A0 58-33-151/24 H323082				
5	1	Tellerdichtung Seat seal	EPDM FDA-konform			58-33-293/93 H77442			
	1	Tellerdichtung Seat seal	FPM FDA-konform			58-33-293/73 H77441			
	1	Tellerdichtung Seat seal	HNBR FDA-konform			58-33-293/33 H170176			
	1	Tellerdichtung Seat seal	VMQ FDA-konform			58-33-293/13 H77440			
6	Gehäusedeckel Housing cover	1.4404	15-00-065/42 H156869	15-00-069/42 H156409	15-00-793/42 H148194	15-00-794/42 H151968	15-00-799/42 H159895	15-00-798/42 H159888	
7	1	Gehäusedichtung Housing seal	EPDM FDA-konform	58-33-292/93 H77439	58-33-392/93 H77464	58-33-442/93 H77488	58-33-492/93 H77512	58-33-567/93 H77558	58-33-642/93 H77583
	1	Gehäusedichtung Housing seal	HNBR FDA-konform	58-33-292/33 H170017	58-33-392/33 H170018	58-33-442/33 H168714	58-33-492/33 H168759	58-33-567/33 H170013	58-33-642/33 H170074
	1	Gehäusedichtung Housing seal	FPM FDA-konform	58-33-292/73 H77438	58-33-392/73 H77463	58-33-442/73 H77487	58-33-492/73 H77511	58-33-567/73 H77557	58-33-642/73 H77582
8	Führungsbuchse Bushing	1.4301		08-01-181/12 H148192				08-01-179/12 H156220	



Blatt 4 von 7
RN 01.054.574

Datum: 18.07.14
Name: Trytko
Geprüft:

Datum:
Name:
Geprüft:

Weitergabe sowie Vervielfältigung dieser Unterlage, Verwertung und Mitteilung ihres Inhalts nicht gestattet, soweit nicht schriftlich zugestanden. Verstoß verpflichtet zum Schadensersatz und kann strafrechtliche Folgen haben (Paragraph 18 UWG, Paragraph 106 UrnG). Eigentum und alle Rechte, auch für Patenterteilung und Gebrauchsmustererteilung, vorbehalten. SPX FLOW, Germany

Ersatzteilliste: spare parts list
Überströmventil / Relief valve UF3, UFE3, UFR3, UFRE3
Ausführungen: I. Federzylinder und II. Federzylinder mit Anlüftzylinder
Designs: I. spring cylinder and II. spring cylinder with seat lift actuator
1-4 Zoll / inch

Datum:	18.0714
Name:	Trytko
Geprüft:	
Datum:	
Name:	
Geprüft:	

Blatt 5 von 7	
RN 01.054.574	



pos. item	Menge quantity	Beschreibung description	Material	1"	1,5"	2"	2,5"	3"	4"
9	1	Führungsbuchse Bushing	Keitronpeek 1000						
10	4	Skt. Schraube Hex. screw	1.4301						
11	1	Skt. Schraube Hex. screw	1.4301						
12	1	Schaltnocke Operating cam	1.4301 / PA12						
13	1	Kupplung Coupling	1.4301						
14	1	Zwischenstück Intermediate piece	1.4404						
15	1	Laterne Yoke	1.4308						
	1	Laterne Yoke	1.4308						
16	4	Skt. Schraube Hex. screw	1.4301						
17	1	Führungsband PTFE guide strap	Turcite						
18	1	Verschlusskappe Cap	PE-weich-gelb						
19	1	O-Ring O-ring	NBR						
20	1	W-Verschraubung Elbow connector	1.4301/PA						
21	1	Federzylinder Spring cylinder	1.4301						

je nach Druckbereich entsprechenden Federzylinder einsetzen
use spring cylinder depending on required pressure range
Nr.31 3A0 16-30-170/13 Nr.32 3A0 16-30-171/13 Nr.33 3A0 16-30-172/13 Nr.34 3A0 16-30-173/13
H207529 H207639 H314296 H310629

Weitergabe sowie Vervielfältigung dieser Unterlage, Verwertung und Mittelung ihres Inhalts nicht gestattet, soweit nicht schriftlich zugestanden. Verstoß verpflichtet zum Schadensersatz und kann strafrechtliche Folgen haben (Paragraf 18 UWG, Paragraf 106 UrnG). Eigentum und alle Rechte, auch für Patenterteilung und Gebrauchsmustereintragung, vorbehalten. SPX FLOW, Germany


Ersatzteilliste: spare parts list

Überströmventil / Relief valve UF3, UFE3, UFR3, UFRE3

Ausführungen: I. Federzylinder und II. Federzylinder mit Anlüftzylinder

**Designs: I. spring cylinder and II. spring cylinder with seat lift actuator
1-4 Zoll / inch**

Datum:	18.0714
Name:	Trytko
Geprüft:	
Datum:	
Name:	
Geprüft:	
Blatt 7 von 7	
RN 01.054.574	

						
---	--	--	--	--	--	--

pos. item	Menge quantity	Beschreibung description	Material	1"	1,5"	2"	2,5"	3"	4"
				WS-Nr. ref.-no.	WS-Nr. ref.-no.	WS-Nr. ref.-no.	WS-Nr. ref.-no.	WS-Nr. ref.-no.	WS-Nr. ref.-no.
Dichtungssatz / seal kit UF3, UFE3									
Pos. 2, 4, 5, 7, 9 nur im kompletten Dichtungssatz erhältlich / Item 2, 4, 5, 7, 9 available as complete seal kits only									
		Dichtungssatz Seal kit	FPM	3A0 58-34-438/00	3A0 58-34-439/00	3A0 58-34-440/00	3A0 58-34-441/00	3A0 58-34-443/00	3A0 58-34-444/00
		Dichtungssatz Seal kit	EPDM	3A0 58-34-438/01 H322816	3A0 58-34-439/01 H322817	3A0 58-34-440/01 H322818	3A0 58-34-441/01 H322819	3A0 58-34-443/01 H322820	3A0 58-34-444/01 H322821
		Dichtungssatz Seal kit	VMQ	3A0 58-34-438/02	3A0 58-34-439/02	3A0 58-34-440/02	3A0 58-34-441/02	3A0 58-34-443/02	3A0 58-34-444/02
		Dichtungssatz Seal kit	HNBR	3A0 58-34-438/06	3A0 58-34-439/06	3A0 58-34-440/06	3A0 58-34-441/06	3A0 58-34-443/06	3A0 58-34-444/06

Dichtungssatz / seal kit UFR3, UFRE3 (mit Regelkegel / with control cone)									
Pos. 2, 1, 4, 5, 7, 9 nur im kompletten Dichtungssatz erhältlich / Item 2, 1, 4, 5, 7, 9 available as complete seal kits only									
		Dichtungssatz Seal kit	FPM	3A0 58-34-450/00	3A0 58-34-451/00	3A0 58-34-452/00	3A0 58-34-453/00	3A0 58-34-455/00	3A0 58-34-456/00
		Dichtungssatz Seal kit	EPDM	3A0 58-34-450/01 H322822	3A0 58-34-451/01 H322823	3A0 58-34-452/01 H322824	3A0 58-34-453/01 H322825	3A0 58-34-455/01 H322826	3A0 58-34-456/01 H322827
		Dichtungssatz Seal kit	VMQ	3A0 58-34-450/02	3A0 58-34-451/02	3A0 58-34-452/02	3A0 58-34-453/02	3A0 58-34-455/02	3A0 58-34-456/02
		Dichtungssatz Seal kit	HNBR	3A0 58-34-450/06	3A0 58-34-451/06	3A0 58-34-452/06	3A0 58-34-453/06	3A0 58-34-455/06	3A0 58-34-456/06

APV DELTA UF3(A) / UFR3(A)

RELIEF VALVE

SPXFLOW

SPX FLOW

Design Center

Gottlieb-Daimler-Straße 13
D-59439 Holzwickede, Germany
P: (+49) (0) 2301-9186-0
F: (+49) (0) 2301-9186-300

SPX FLOW

Production

Stefana Rolbieskiego 2
PL- Bydgoszcz 85-862, Poland
P: (+48) 52 566 76 00
F: (+48) 52 525 99 09

SPX FLOW reserves the right to incorporate the latest design and material changes without notice or obligation.

Design features, materials of construction and dimensional data, as described in this manual, are provided for your information only and should not be relied upon unless confirmed in writing. Please contact your local sales representative for product availability in your region. For more information visit www.spxflow.com.

ISSUED 08/2017 - Translation of Original Manual
COPYRIGHT ©2017 SPX FLOW, Inc.